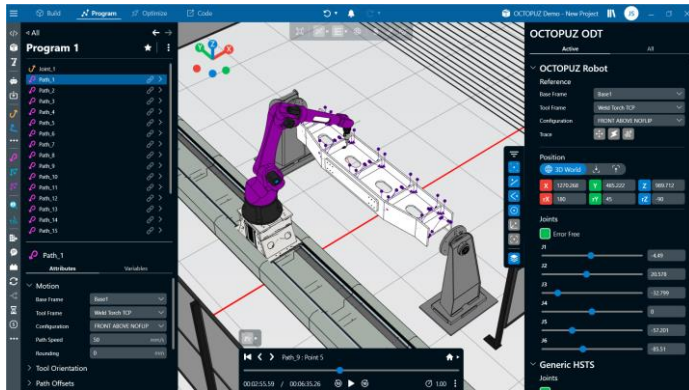




OCTOPUZ

Offline Robot Programming Software



OCTOPUZ Offline Robot Programming (OLRP) software enables complex robot applications to be programmed in a virtual, offline environment, without disruption to your manufacturing process and without the need for an onsite programming expert. OCTOPUZ programs multiple robot brands, configurations, and applications together and outputs code for use in real-world industrial applications.

Our Benefits



Maximize robot ROI by programming complex applications quickly



Reduce production downtime by never taking the robot offline



Learn quickly and reduce complexity with a simplified user experience



Access from anywhere with flexible user-based accounts



Automatically detect and avoid robot errors



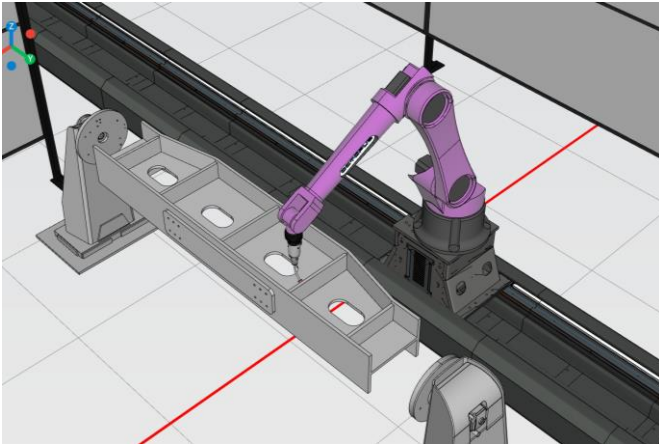
Optimize robot programs to reduce cycle time



Create accurate robot code for multiple robot brands on a single platform



OCTOPUZ for Welding



"When it comes to welding techniques, OCTOPUZ is of great help and is a key part of our process. By using OCTOPUZ, we save around three days of downtime per project. Since OLRP offers a speedier process, we can manage more quotations for clients and increase our robot production."

Göran Johansson, General Manager
Svets & Mekano

Types of Welds We Support

Fillet Welds | Butt Welds | Groove Welds | Tack Welds

Welding Techniques We Support

Weaving | Seam Tracking | Touch Sensing
Laser Touch Sensing | Laser Camera

Types of Tools We Support

MIG Torches | TIG Torches | Spot Guns | And More

Email: info@octopuz.com | www.octopuz.com



- Jump right into your next welding project from your cell template, containing all your fixed components.
- Program multiple robots, simultaneously, with support for different robot brands in unique configurations. Right until code is created, all programming is identical, no matter your brand.
- Reduce the time it takes to program your complex welds with simple and effective tools, which include a variety of welding strategies.
- Ensure the accuracy of your welds with corrections, by creating wire, nozzle, laser point, and laser camera search touch sensing routines.
- Confirm you're production ready by simulation your project, as you watch your robots perform their programmed tasks start-to-finish.
- Once your project has been created and verified in the virtual world, export your ready-to-run robot code for production use.
- Program your next job from anywhere - at home, in the office, or right at the robot with flexible user-based accounts.
- Feel confident knowing our expert team of Applications Engineers are ready to assist your next project with our unmatched training and support

